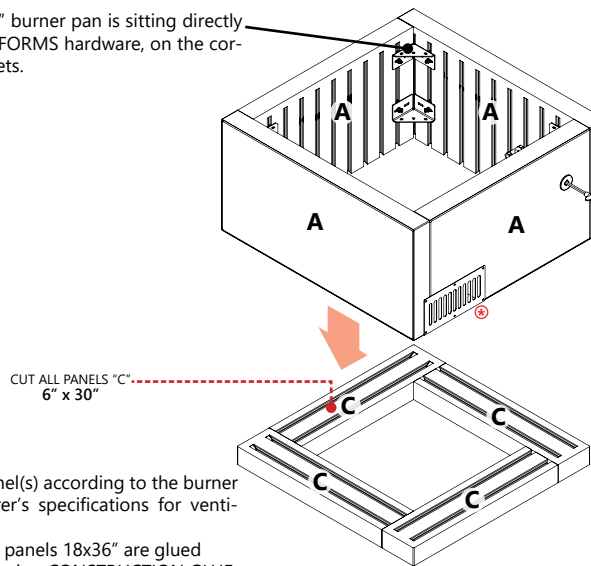




INTERIOR VIEW

The 30"x30" burner pan is sitting directly on the ARTFORMS hardware, on the corner's brackets.

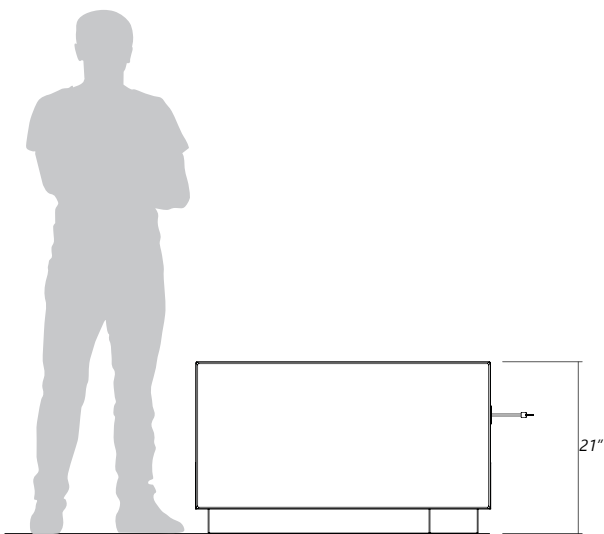


REQUIRED PANELS

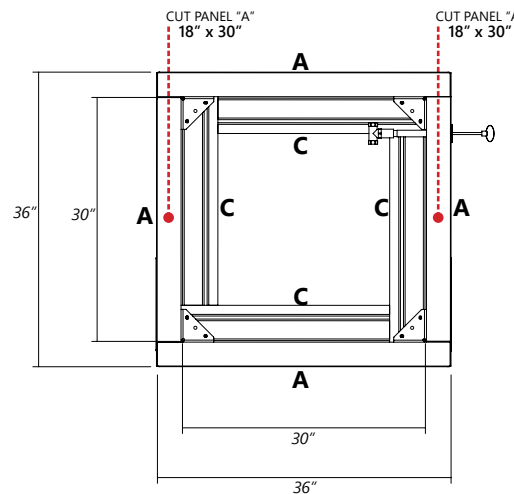
- 18" x 36" PANEL **4x**
- 18" x 36" PANEL **0x**
- 6" x 36" PANEL **4x**
- 6" x 36" PANEL **0x**

IMPORTANT: 18 x 36" panels are sold in pair/layer or in full pallet only. 6 x 36" panels are sold per unit or in layer or in full pallet.

FRONT VIEW



TOP VIEW



REQUIRED HARDWARE

- ANCHOR SLIDE AND NUT **16x**
NOTE: Sold only per box (100 units/box)
- JOINING PLATE **0x**
NOTE: Can be sold per box or per unit (40 units/box)
- OUTER CORNER **8x**
NOTE: Can be sold per box or per unit (48 units/box)
- INNER CORNER **0x**
NOTE: Can be sold per box or per unit (24 units/box)
- STRETCHER **0x**
NOTE: Can be sold per box or per unit (10 units/box)

IMPORTANT: It is recommended to follow the burner manufacturer's specifications for ventilation. Belgard is not responsible for the conformity of connections, clearances and ventilation. Burner pan and accessories are not included. PROPOSED MODEL: *Linzel SQUARE Burner 30" PLATE KIT*

TOTAL WEIGHT (PANELS & HARDWARE) 683 Lbs